

SAFETY INFORMATION

Please read and understand this entire manual before attempting to assemble, install or operate the product.

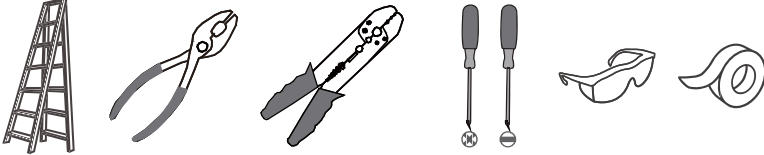
WARNING

- RISK OF ELECTRIC SHOCK - Before beginning installation, turn off electricity at the circuit breaker box or the main fuse box.
- RISK OF FIRE - Use bulbs specified by the markings and/or labels on the fixture.

CAUTION

- For your safety, read instructions completely before beginning installation.
- If in doubt about electrical installation, consult a licensed electrician.
- Turn off electricity to fixture before replacing the bulb(s).

TOOLS REQUIRED

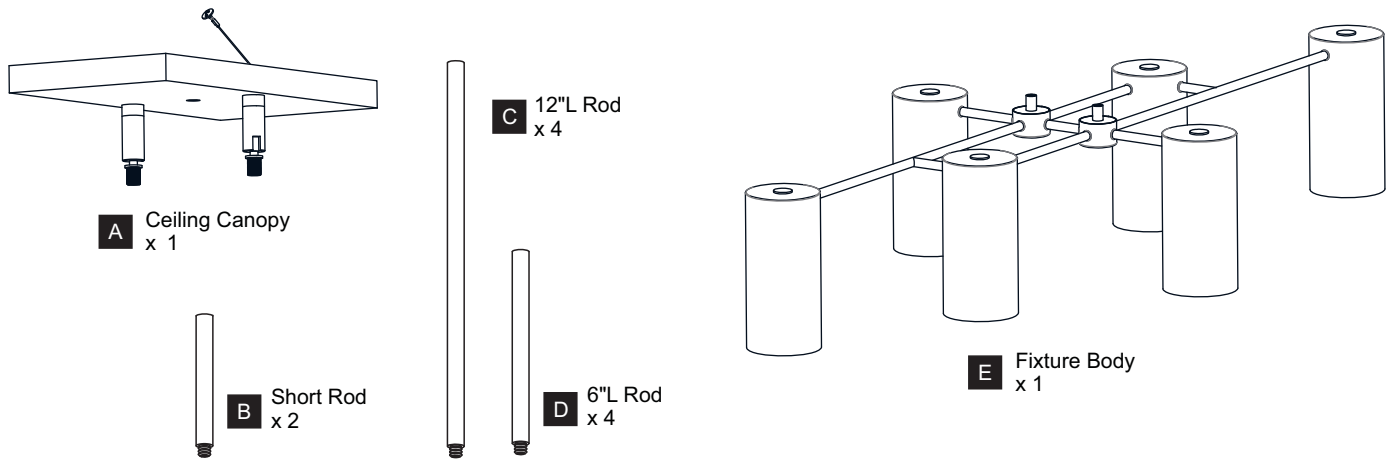


CARE AND MAINTENANCE

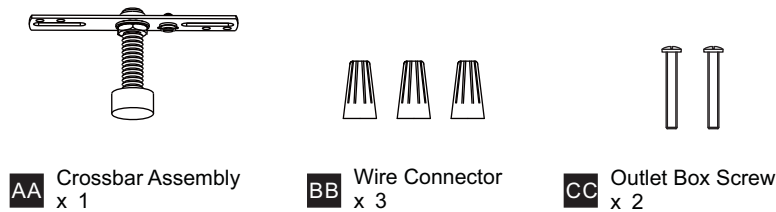
- Wipe clean using soft, dry cloth or static duster. Always avoid using harsh chemicals and abrasives to clean fixture as they may damage the finish.

If you need further assistance call Quozel Customer Care at 1-800-645-3184 (9:00am - 5:00pm EST), or visit us on-line at www.quezel.com.

PACKAGE CONTENTS



MOUNTING HARDWARE



INSTALLATION

OPTION 1: PENDANT - FLD650BRG,FLD650MBK

1 Install Rods

Optional Rods:

- 8 Feet Ceiling:
(1) 6"L Rod + (1) 12"L Rod each side.
- 9 Feet Ceiling:
(1) 6"L Rod + (2) 12"L Rods each side.
- 10 Feet Ceiling:
(2) 6"L Rods + (2) 12"L Rods each side.

2 Separate Swivels from Ceiling Canopy

3 Install Swivels and Ceiling Canopy to Upper Rods

Swivel → 90Degree

For angled ceilings,
Swivels opening towards wall.

* Make sure two swivels opening are in the same direction while assembling.

4 Install Crossbar Assembly

5 Install Lanyard

Lanyard

Button Stop Lanyard

6 Wiring

White wire from supply White from fixture

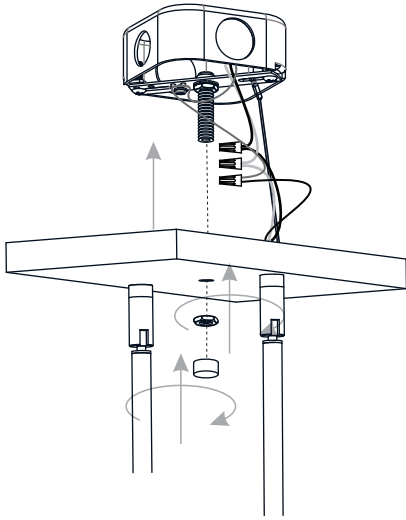
Black (or red) wire from supply Black from fixture

Ground wire from supply Ground wire from fixture

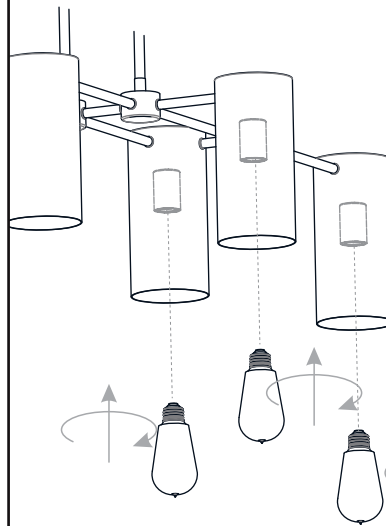
Green ground screw

INSTALLATION

7 Install Ceiling Canopy

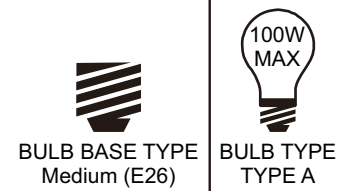


8 Install Bulbs



Install six correct bulbs referring to fixture markings and/or labels for maximum wattage.

Recommended Bulb type (not included):



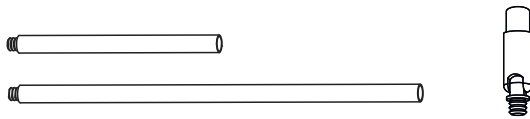
Your installation is now complete! Restore electricity and save this sheet for future reference.

INSTALLATION

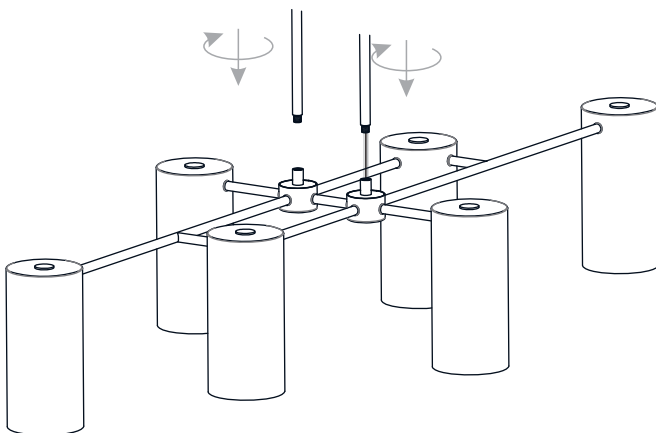
IMPORTANT: This CONVERTIBLE fixture can be mounted as pendant light or semi-flush light. **DO NOT CUT SUPPLY WIRES** if you intend to use it as pendant light.

OPTION 2: SEMI-FLUSH - FLD1750BRG,FLD1750MBK

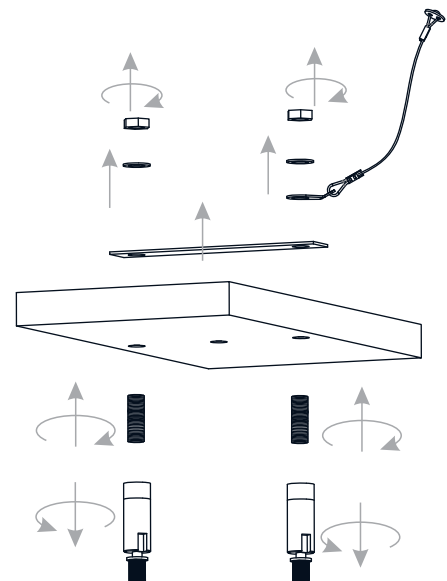
* Set aside (4) 6"L Rods and (4) 12"L Rods, (2)swivel since they are not required for the semi-flush installation.



1 Install Short Rods



2 Separate Swivels from Ceiling Canopy



3 Install Ceiling Canopy to Shord Rods

4 Install Crossbar Assembly

5 Install Lanyard

6 Wiring

White wire from supply	White from fixture
Black (or red) wire from supply	Black from fixture
Ground wire from supply	Ground wire from fixture

Green ground screw

7 Install Ceiling Canopy

8 Install Bulbs

Install six correct bulbs referring to fixture markings and/or labels for maximum wattage.

Recommended Bulb type (not included):

BULB BASE TYPE Medium (E26)	BULB TYPE TYPE A

Your installation is now complete! Restore electricity and save this sheet for future reference.